

Features

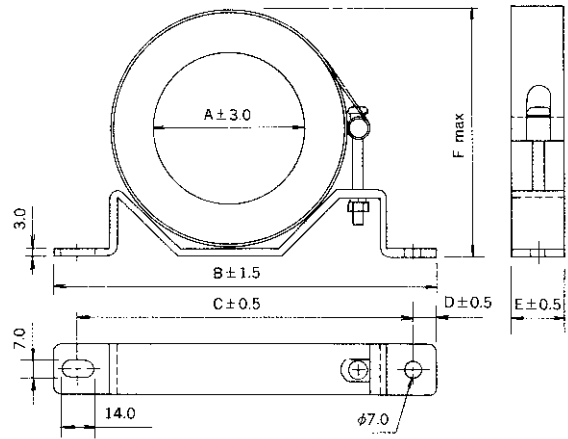
- Best for large current equipment.
- Easy to install.
- In parallel use of multiple filters.
- Low conducted radiation noise by winding the primary or secondary power of leads.

Applications

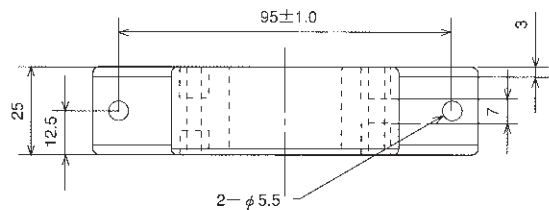
- Inverter power supplies, UPS, NC control systems and Welding machines.



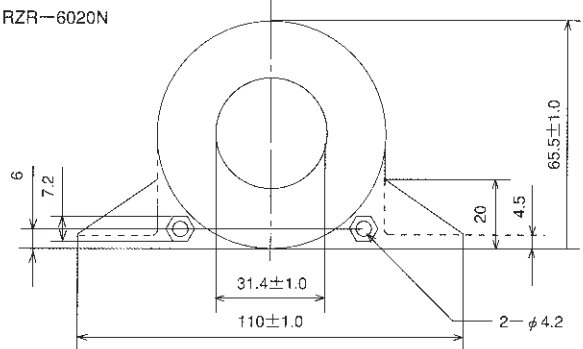
Dimensions



	A	B	C	D	E	F
RZR-6815	44.0	130.0	110.0	10.0	16.0	75.0
RZR-9920	63.0	160.0	140.0	10.0	21.0	107.0
RZR-12834	104.5	190.0	160.0	15.0	35.0	138.0



RZR-6020N



Unit: mm
 Tolerances: ±0.5

Electrical Specifications

Model Number	L (μH)		
	16kHz	200kHz	500kHz
RZR-6815	4.80~8.00	4.80~8.00	≧ 1.3
RZR-9920	6.30~9.90	6.30~10.70	≧ 1.0
RZR-12834	5.20~7.60	5.20~8.20	≧ 1.0
RZR-6020N	6.90~16.10	6.90~16.10	≧ 2.0

(Condition: 1mA, 1 turn feed-through)